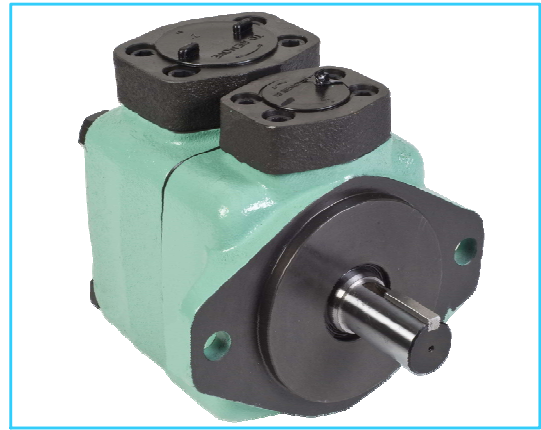
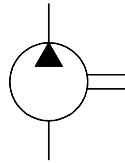


**PVR 150-Series Single Vane Pumps**

These pumps are widely used as a source of hydraulic power. They combine stable performance and robust construction with a wide range of delivery rates.



Graphic Symbol



**Specifications**

Model Number	Geometric Displacement cm <sup>3</sup> /rev.	Max. Opr. Pressure Kgf/cm <sup>2</sup>	Output Flow and Input Power	Shaft Speed Range r/min.		Mass (Approx.) Kg.	
				Max.	Min.	Flange Mounting	Foot Mounting
PVR150 – 60	47	175	Refer Page 131 & 132	1800*	600	29.3	35.9
PVR150 – 70	57						
PVR150 – 90	75						
PVR150 – 110	92						
PVR150 – 140	115						
PVR150 – 170	135						

\* For speeds above 1500 r/min., consult factory for information.

**Model Number Designation**

F-	PVR150	-L	-F	-60	-R	A	A	34	80	
Special Seals	Series Number	Type of Mounting	Type of pipe Connection	Normal Displacement	Direction of Rotation	Discharge Port Position	Suction Port Position	Design *	Design Standard	
As Viewed From Shaft End										
<b>F:</b> For Phosphate Ester Type Fluids (Omit if not required)	<b>PVR150</b>	<b>L:</b> Foot Type	<b>F:</b> Flange Connection	<b>60</b>	<b>R:</b> Clockwise (Normal)	(See Drawing)	(See Drawing)	<b>34</b>	<b>80</b>	
		<b>F:</b> Flange Type		<b>70</b>		<b>L:</b> Counter Clockwise	<b>A : Normal (Upwards)</b>			<b>A : Normal (Upwards)</b>
				<b>90</b>			<b>B : Bottom</b>			<b>B : Bottom</b>
				<b>110</b>	<b>R : Right</b>		<b>R : Right</b>			
		<b>140</b>			<b>L : Left</b>	<b>L : Left</b>				
		<b>170</b>								

\* Design numbers subject to change from 30 to 39, but installation dimensions remain as shown.

\* For instructions regarding changing the port positions, consult YUKEN INDIA LTD.

**Cartridge Kit Model Number**

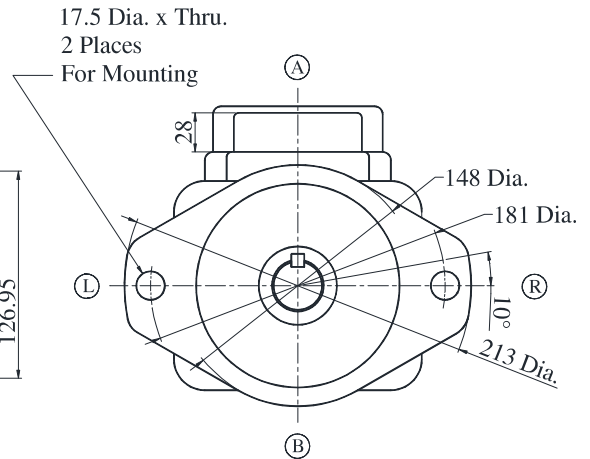
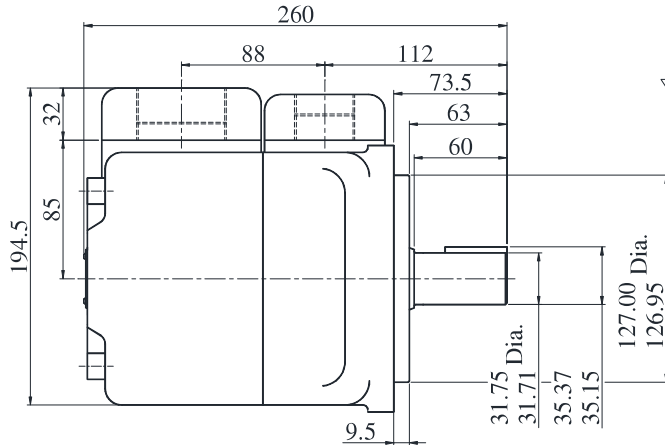
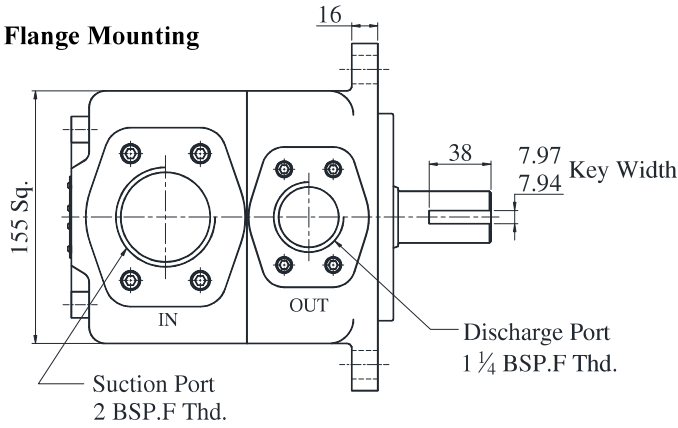
CPVR150	-60	-R	-33
Model Number	Nominal Displacement	Shaft Rotation	Design No.
<b>CPVR150</b>	<b>60</b>	<b>R:</b> Clockwise (Normal)	<b>33</b>
	<b>70</b>		
	<b>90</b>		
	<b>110</b>	<b>L:</b> Counter-Clockwise	
	<b>140</b>		
<b>170</b>			

\* For instructions regarding replacing cartridge kit, consult YUKEN INDIA LTD.

**PVR150-F-F-※-※※※※-3480**

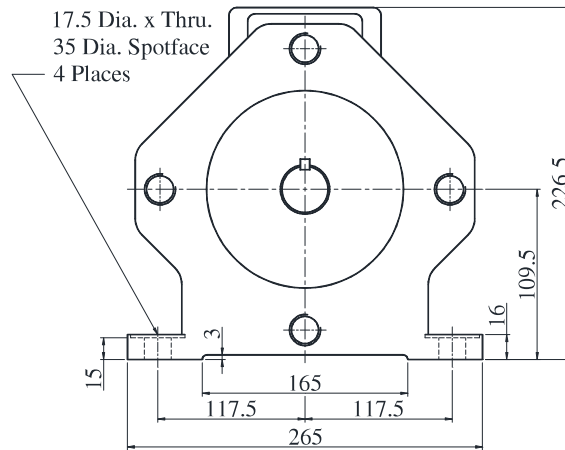
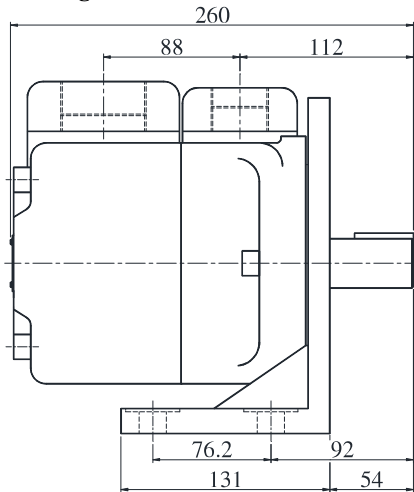
**DIMENSIONS IN MILLIMETRES**

● **Flange Mounting**



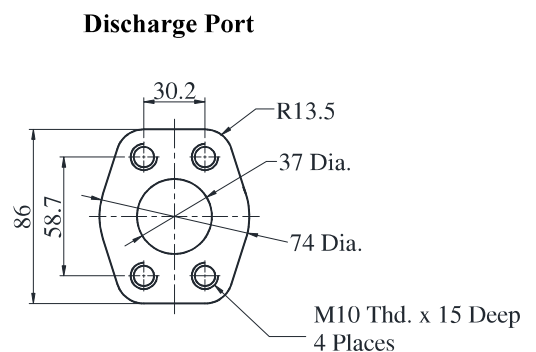
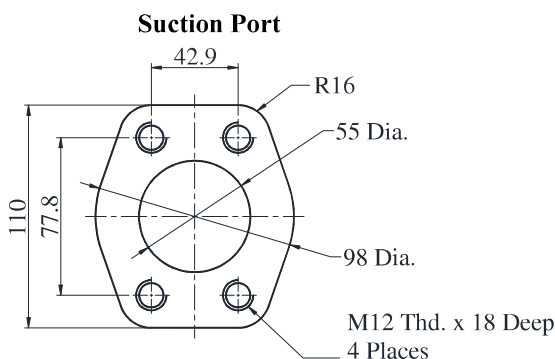
**PVR150-L-F-※-※※※※-3480**

● **Foot Mounting**



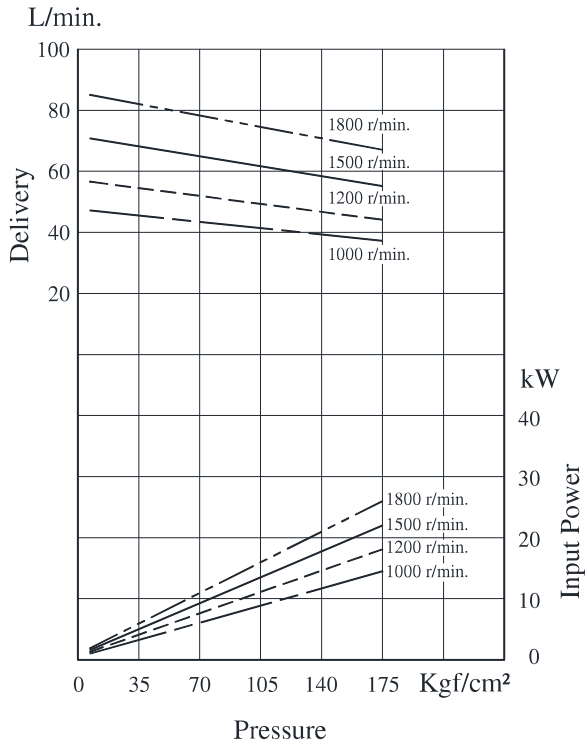
For other Dimensions See Flange Mounting

**For Reference :** Dimensions of Pipe Flange Mounting Surfaces

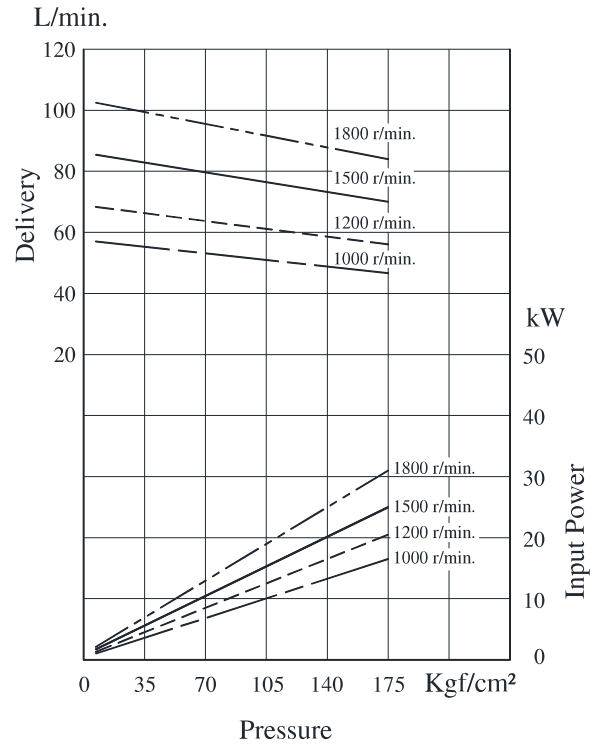


Typical Pump Characteristics Oil Viscosity 20 cSt [ISO VG 32, Temp 50<sup>0</sup> C]

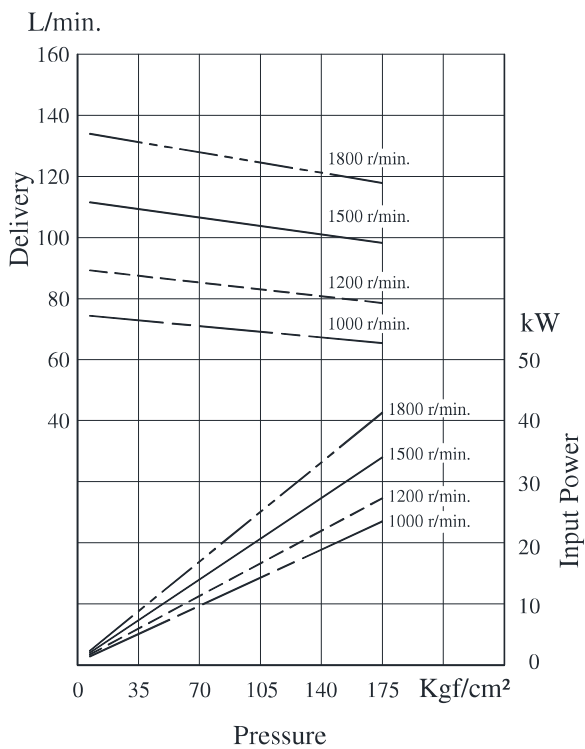
● **PVR 150 - 60**



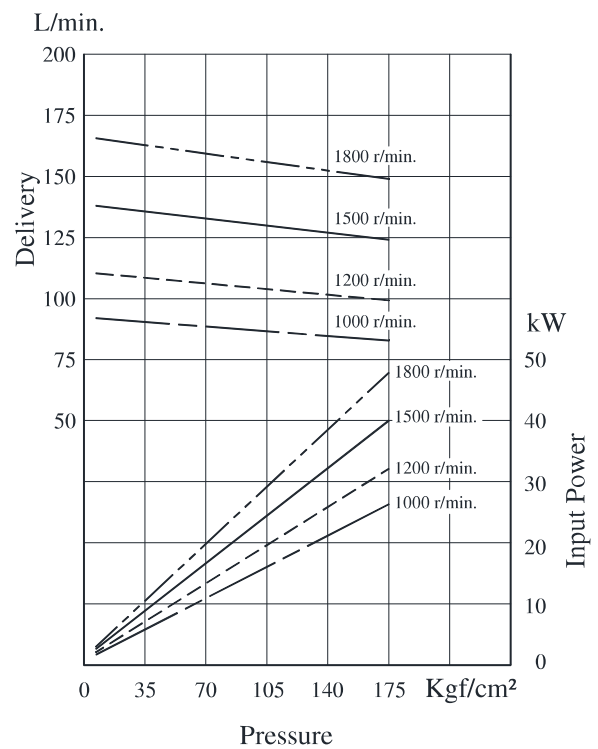
● **PVR 150 - 70**



● **PVR 150 - 90**



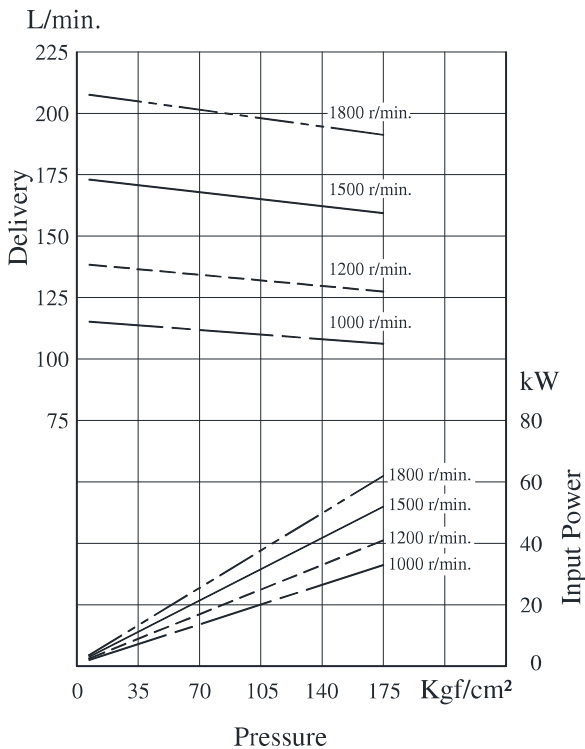
● **PVR 150 - 110**



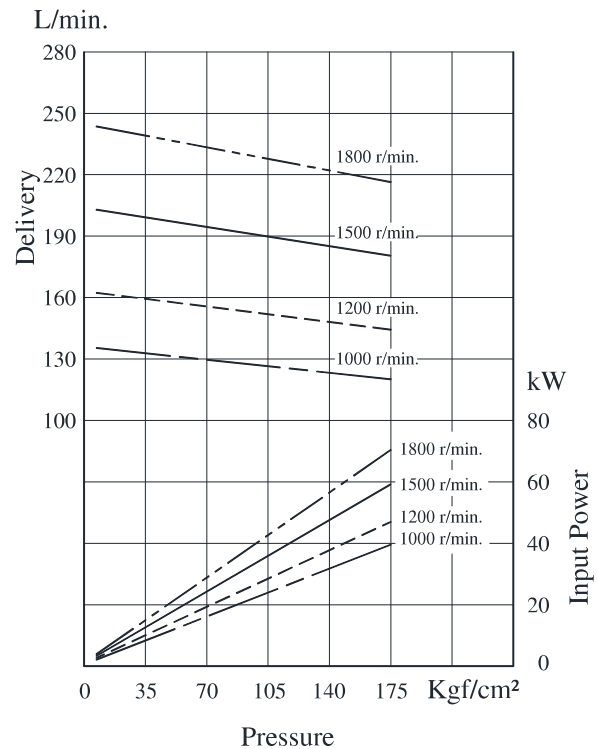
**B**  
PVR Series  
Single Vane Pumps

**Typical Pump Characteristics Oil Viscosity 20 cSt [ISO VG 32, Temp 50° C]**

● **PVR 150 - 140**



● **PVR 150 - 170**



■ **Spare Parts List**

● **List of Seals**

Sl. No.	Name of Part	Part number	Qty.
1	O-Ring	SO-NA-G120Y	1
2	O-Ring	ARP568231	1
3	O-Ring	SO-NB-G125	1
4	Backup-Ring	JISW1516-G9	1
5	Backup-Ring	SO-BB-G120	1
6	Oil Seal	TC38558-7	1

Note: When ordering the seals, please specify the seal kit number KS-PVR150-3480.

■ **Cartridge Kit Model Number**

Pump Model Numbers	Cartridge Kit Number #
PVR1T-6- <del>※</del> -R <del>※</del> -2080	CPVR1T-06-R-20
PVR1T-10- <del>※</del> -R <del>※</del> -2080	CPVR1T-10-R-20
PVR1T-15- <del>※</del> -R <del>※</del> -2080	CPVR1T-15-R-20
PVR50- <del>※</del> - <del>※</del> -20-R <del>※</del> <del>※</del> -3180	CPVR50-20-R-31
PVR50- <del>※</del> - <del>※</del> -36-R <del>※</del> <del>※</del> -3180	CPVR50-36-R-31
PVR50- <del>※</del> - <del>※</del> -45-R <del>※</del> <del>※</del> -3180	CPVR50-45-R-31
PVR150- <del>※</del> -F-70-R <del>※</del> <del>※</del> -3480	CPVR150-70-R-33
PVR150- <del>※</del> -F-110-R <del>※</del> <del>※</del> -3480	CPVR150-110-R-33

1. For instructions regarding replacing cartridge kit, consult YUKEN INDIA LTD.

# The above table does not include all combinations of cartridges available.

Only a few representative samples are shown.

■ **Flanges**

Note: Please refer page no. 747 for flange details.